

# MODERNSOLID

Global Series



## JUST ONE FINGER!

**Global Series**  
Free up your workspace

**MODERNSOLID INDUSTRIAL CO., LTD.**

NO.11-2, Wu Nan Rd., Wu Chi Dist., Taichung City 435111, Taiwan.  
TEL: 886-4-26397717 / 886-4-26398669 (Rep.) / FAX: 886-4-26398333  
Website: [www.modernsolid.com](http://www.modernsolid.com) / E-mail: [info@modernsolid.com.tw](mailto:info@modernsolid.com.tw)

2024.05



[modernsolid.com](http://modernsolid.com)



**MODERNSOLID**

# Desk Mount

>> Single Monitor Arm

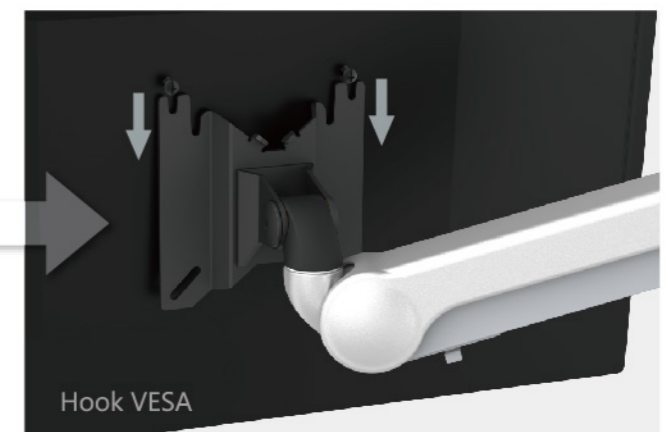


Color



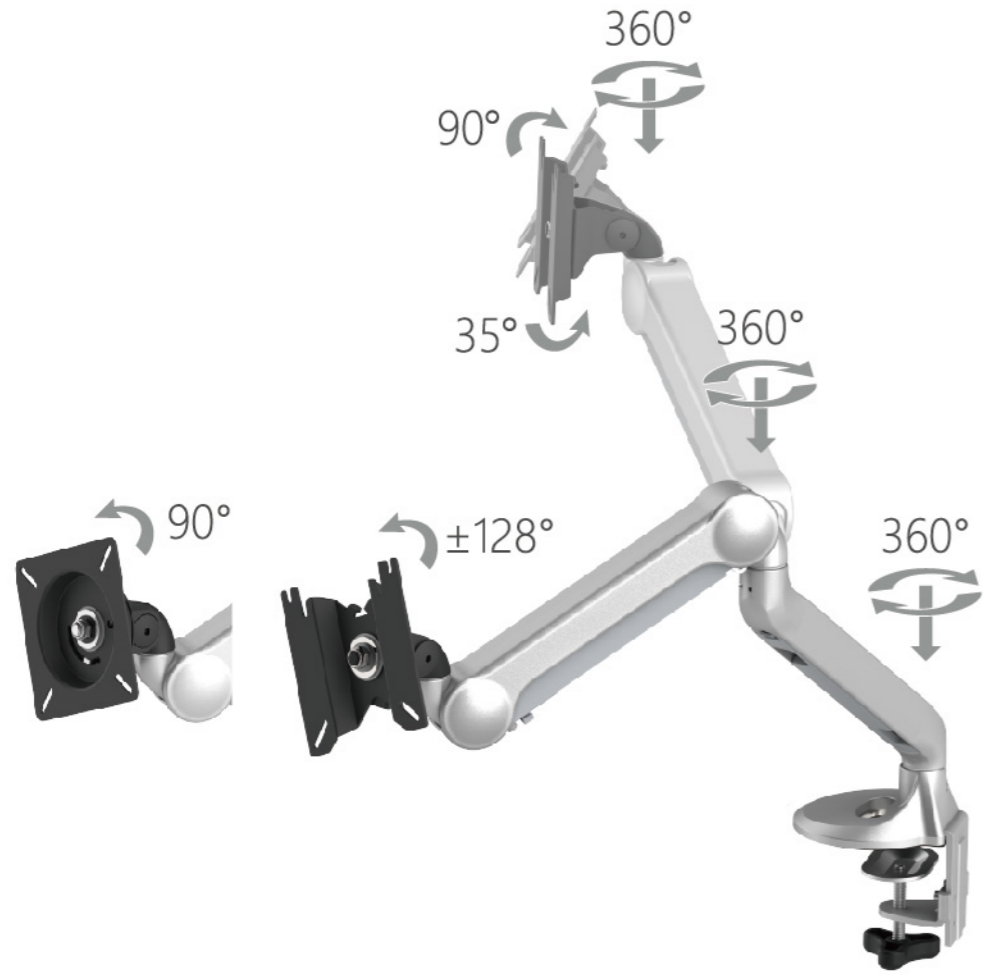
- Ergonomic design ensures monitor positioned in any desirable position.
- Slim and streamlined design frees up desk space.
- Cable management.

## VESA Optional



# 1801/1901 Series

Gas Spring inside



### Clamp Type

**1801 / 1901** (Quick Release VESA)

VESA 75/100mm

max 2~9kg (4.4~19.8lbs)

### Grommet Type

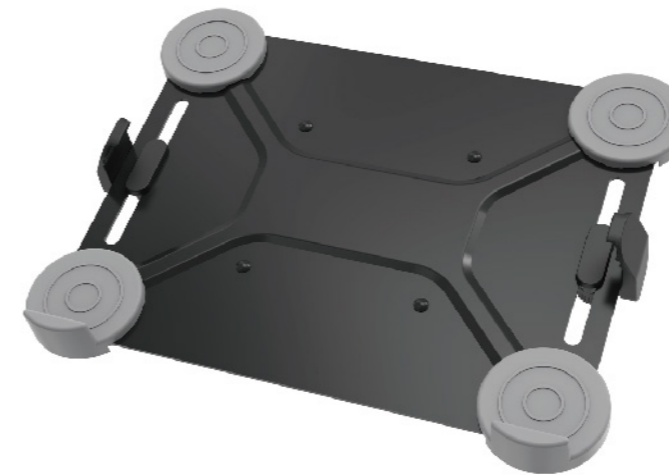
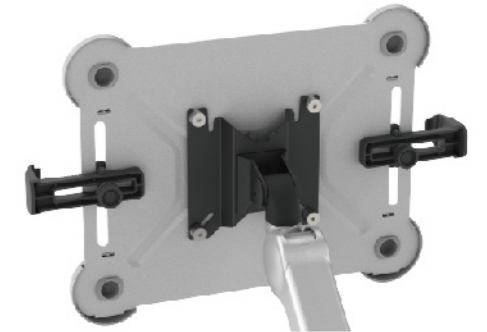
**1821 / 1921** (Quick Release VESA)

VESA 75/100mm

max 2~9kg (4.4~19.8lbs)

## Optional Laptop Mount Tray

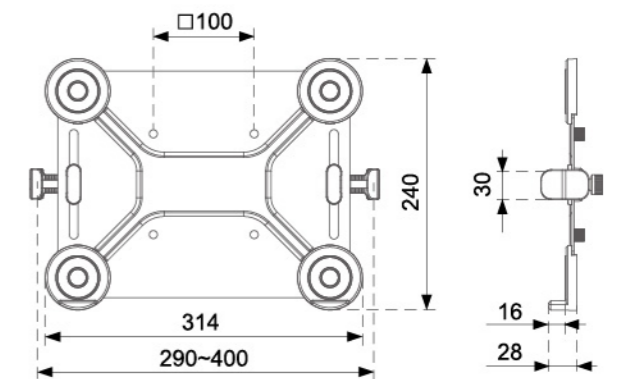
- Add the notebook tray to LCD mount that uses 100 x 100mm VESA to create an ergonomic workstation for your notebook.
- Notebook/laptop size: ~16"



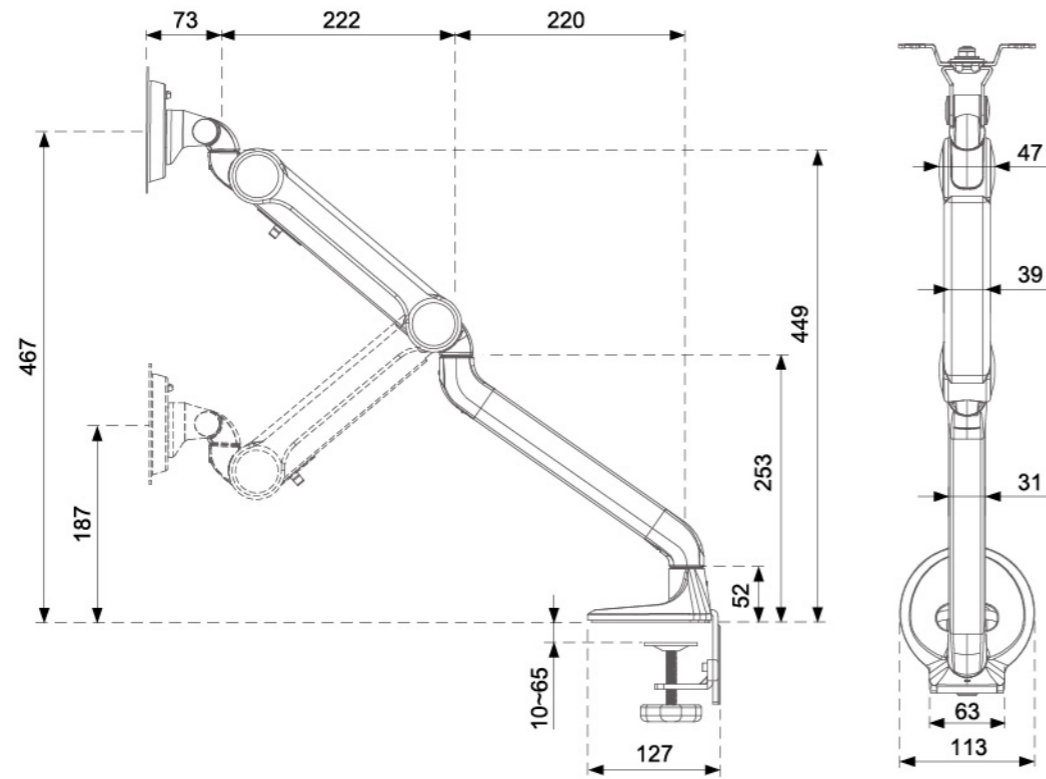
OP-050

VESA 100mm

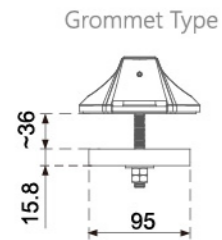
Color



unit:mm



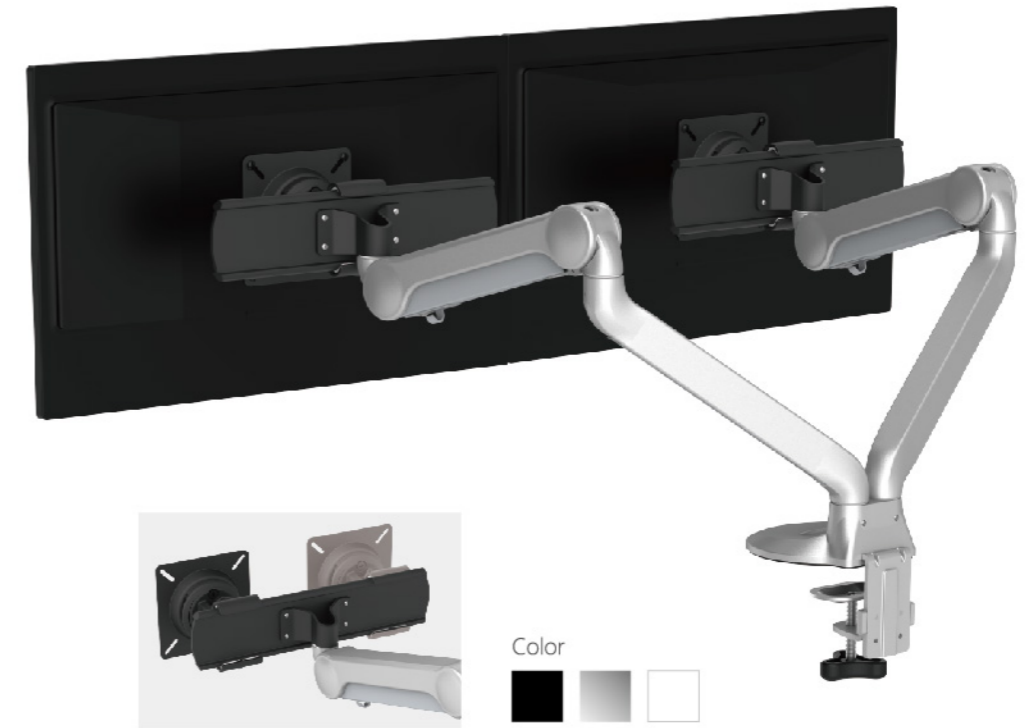
unit:mm



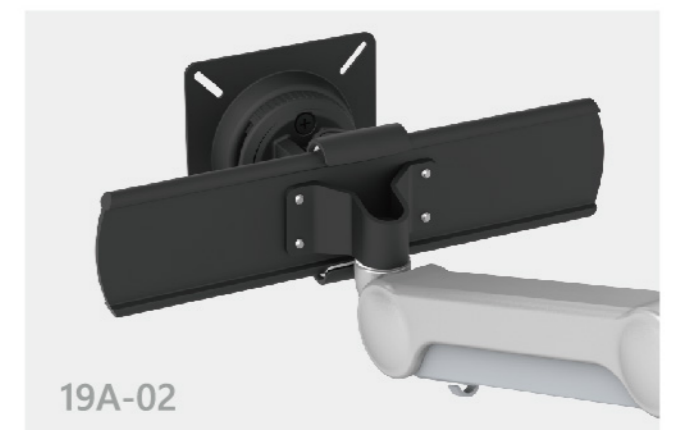
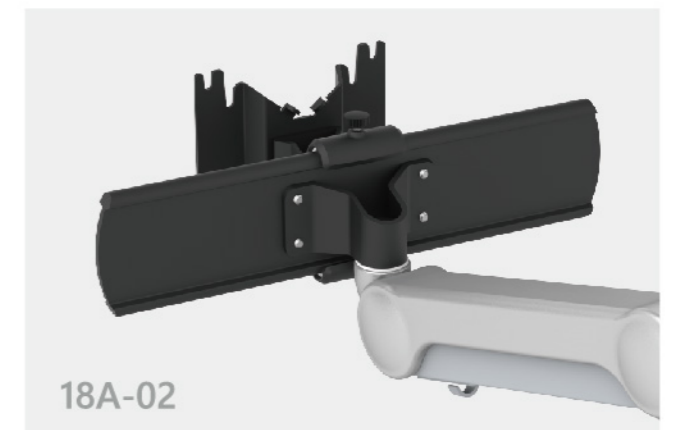
Grommet Type

# Desk Mount

>> Dual Monitor Arm

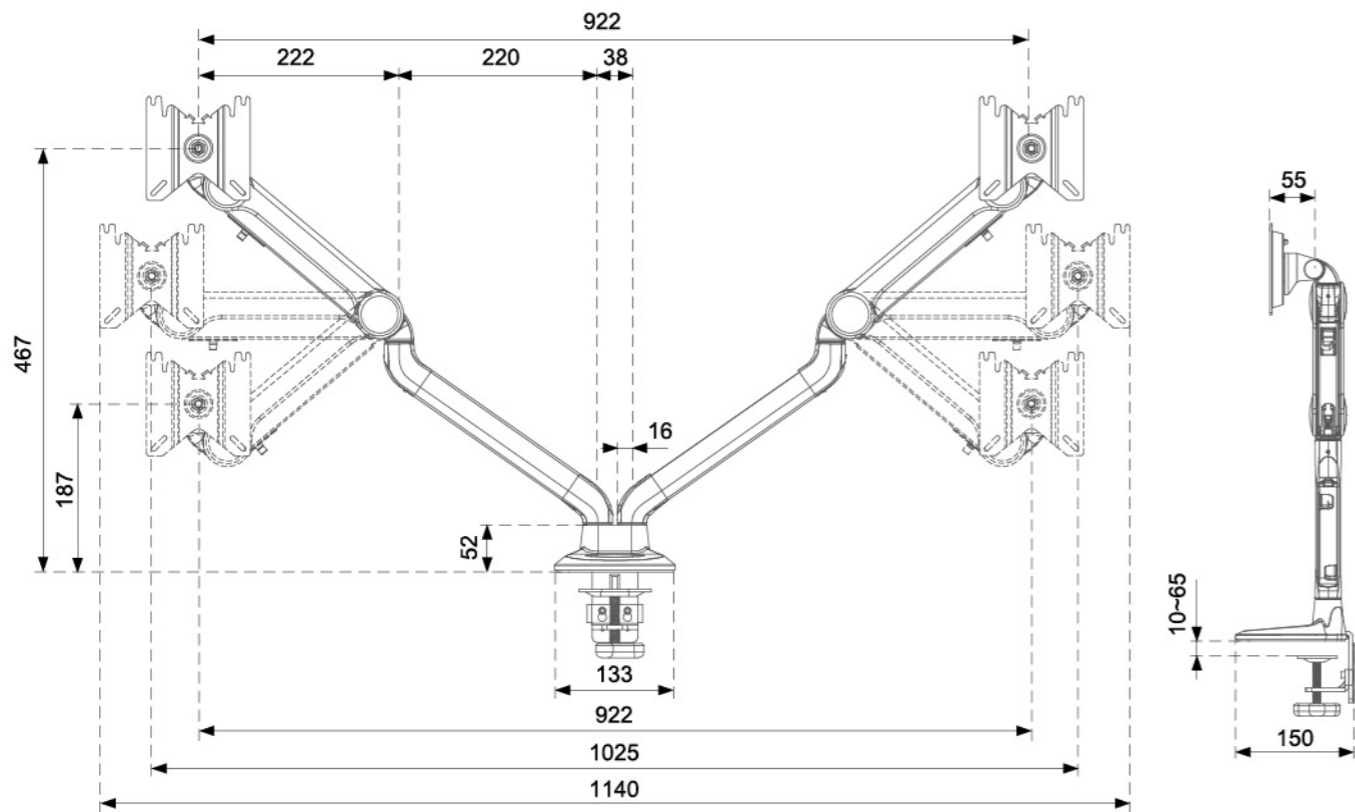
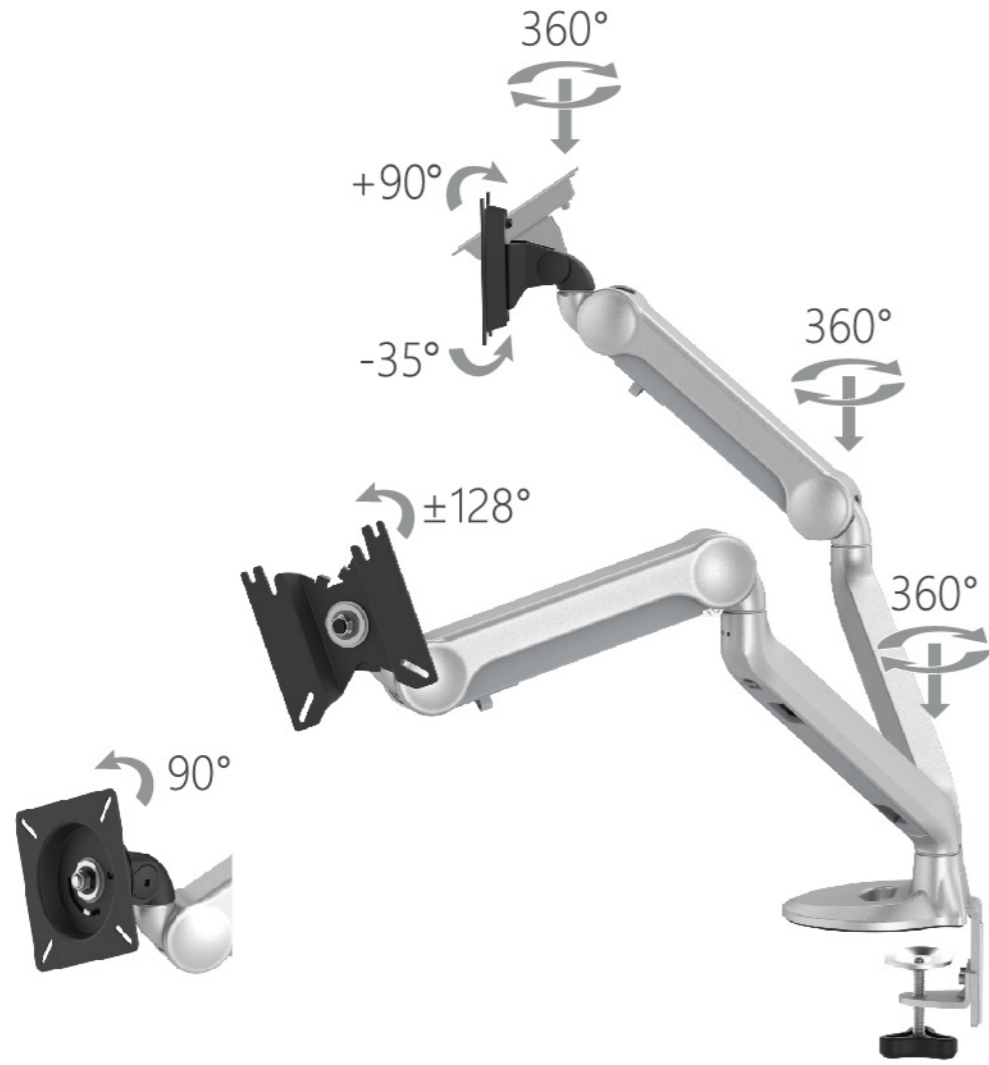


## VESA Optional



# 1802/1902 Series

Gas Spring inside



## Clamp Type

**1802 / 1902** (Quick Release VESA)

VESA 75/100mm

max 2~9kg (4.4~19.8 lbs) / single arm

## Grommet Type

**1822 / 1922** (Quick Release VESA)

VESA 75/100mm

max 2~9kg (4.4~19.8 lbs) / single arm



## Clamp Type

**A1802 / A1902** (Quick Release VESA)

VESA 75/100mm

max 2~8.5kg (4.4~18.7 lbs) / single arm

## Grommet Type

**A1822 / A1922** (Quick Release VESA)

VESA 75/100mm

max 2~8.5kg (4.4~18.7 lbs) / single arm

# Pole Mount

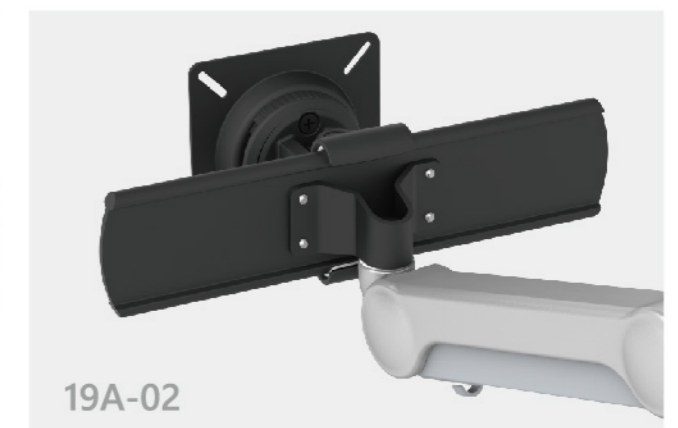
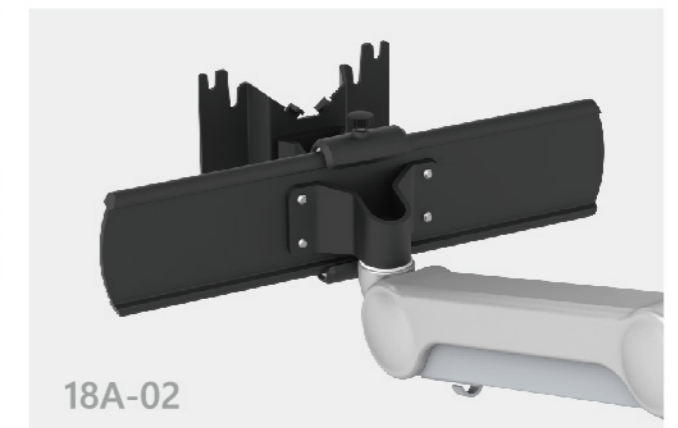


Color



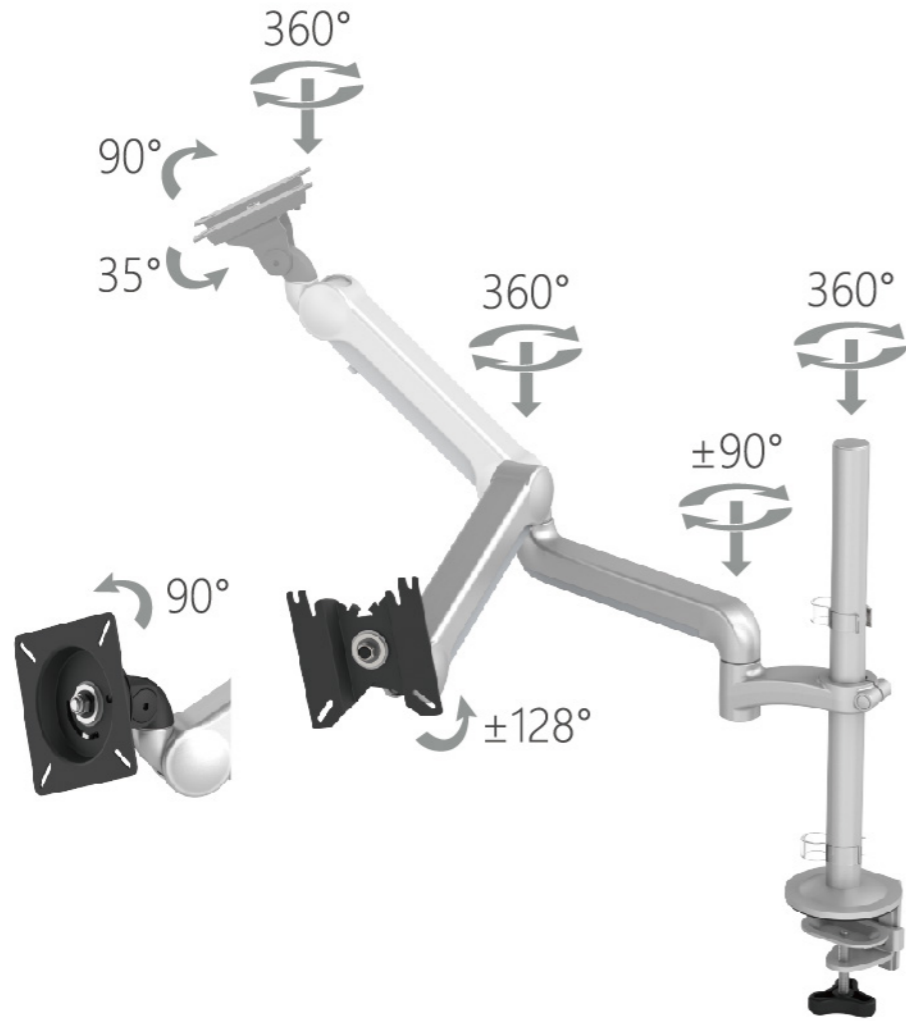
- Pole mount type provides the variety of configuration from single screen to multiple screens for fitting the different application needs of workplace.
- Small desk mount saves the desk space with clean look.
- Cable management.

## VESA Optional



# 1803/1903 1805/1905 Series

Gas Spring inside



**1803-1 / 1903-1** (Quick Release VESA)  
 VESA 75/100mm  
 max 2~9kg (4.4~19.8lbs)



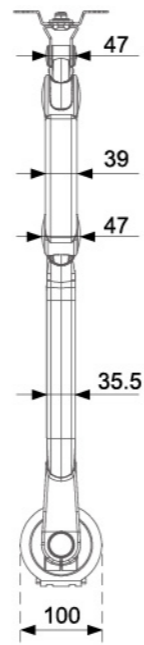
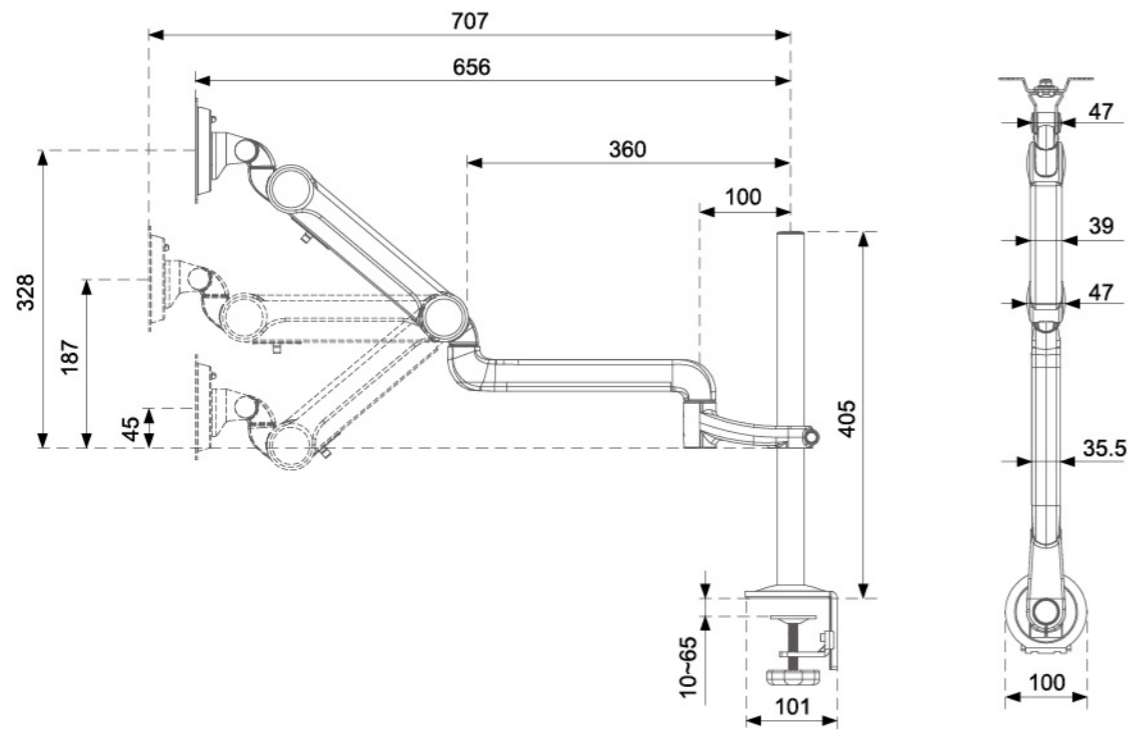
**1803-2 / 1903-2** (Quick Release VESA)  
 VESA 75/100mm  
 max 2~9kg (4.4~19.8lbs) / single arm



**1805-1 / 1905-1** (Quick Release VESA)  
 VESA 75/100mm  
 max 2~9kg (4.4~19.8lbs)



**1805-2 / 1905-2** (Quick Release VESA)  
 VESA 75/100mm  
 max 2~9kg (4.4~19.8lbs) / single arm



unit:mm



**1805-3 / 1905-3** (Quick Release VESA)  
 VESA 75/100mm  
 max 2~9kg (4.4~19.8lbs) / single arm

# 1806/1906 Series



**1806Z-1 / 1906Z-1** (Quick Release VESA)  
 VESA 75/100mm  
 max 2~9kg (4.4~19.8lbs) / single arm



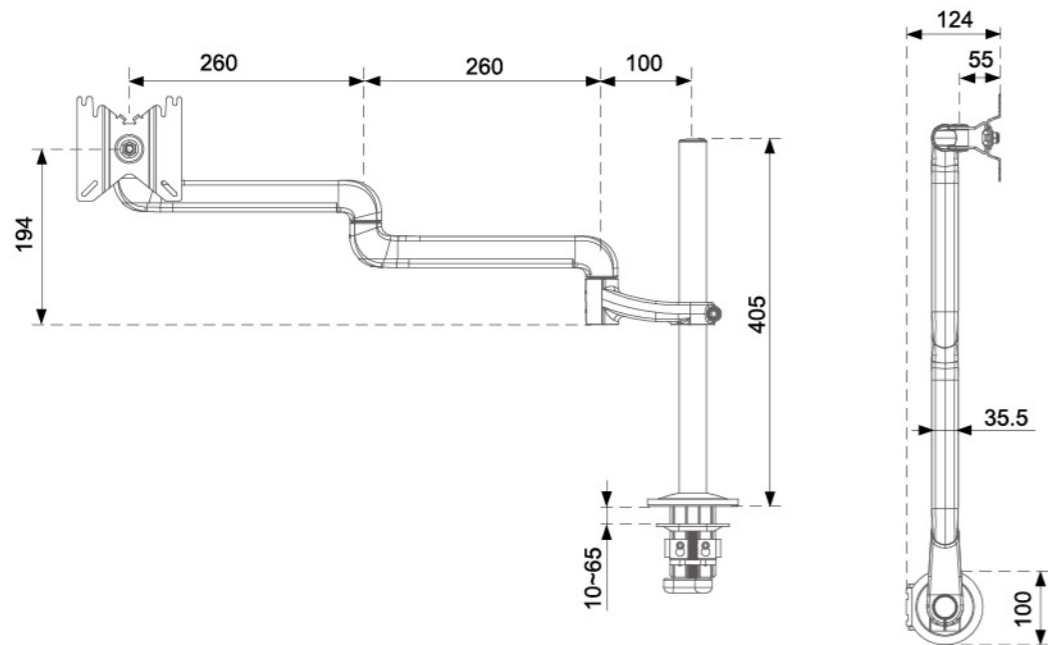
**1806-1 / 1906-1** (Quick Release VESA)  
 VESA 75/100mm  
 max 2~9kg (4.4~19.8lbs)



**1806-2 / 1906-2** (Quick Release VESA)  
 VESA 75/100mm  
 max 2~9kg (4.4~19.8lbs) / single arm



**1806-3 / 1906-3** (Quick Release VESA)  
 VESA 75/100mm  
 max 2~9kg (4.4~19.8lbs) / single arm



unit:mm

# 1807/1907 Series

Gas Spring inside

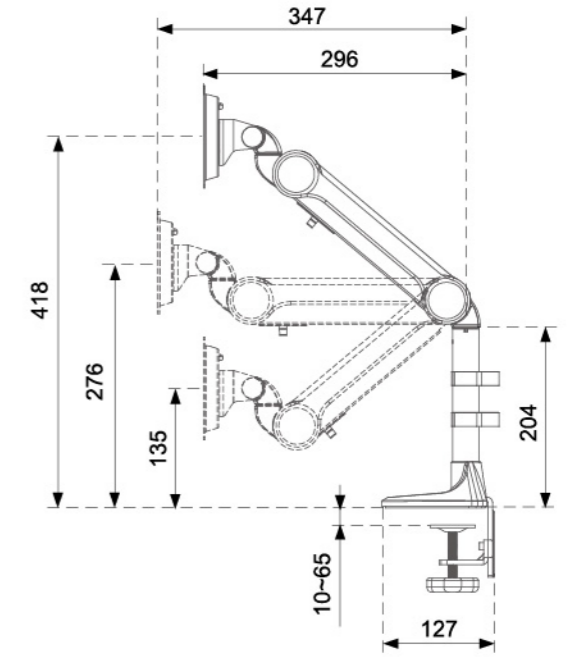


Clamp Type

**1807 / 1907** (Quick Release VESA)  
 VESA 75/100mm  
 max 2~9kg (4.4~19.8lbs)

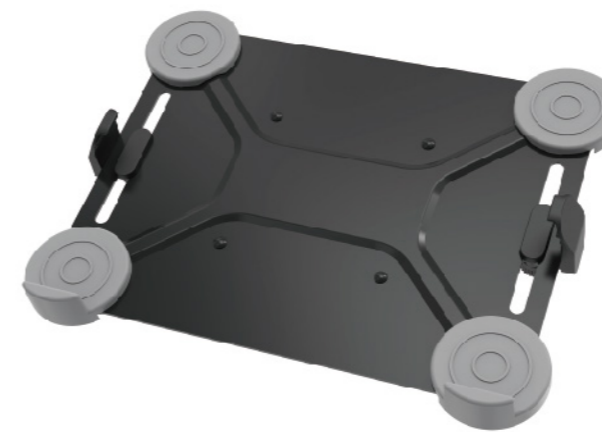
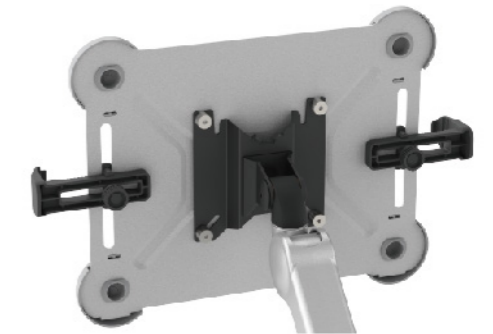
Grommet Type

**1827 / 1927** (Quick Release VESA)  
 VESA 75/100mm  
 max 2~9kg (4.4~19.8lbs)



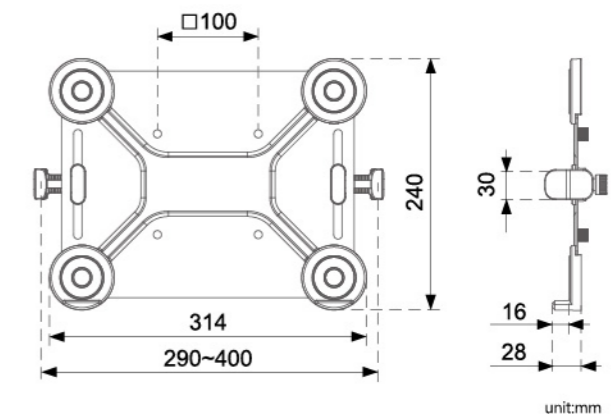
## Optional Laptop Mount Tray

- Add the notebook tray to LCD mount that uses 100 x 100mm VESA to create an ergonomic workstation for your notebook.
- Notebook/laptop size: ~16"



**OP-050**  
 VESA 100mm

Color

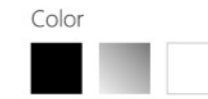


unit:mm

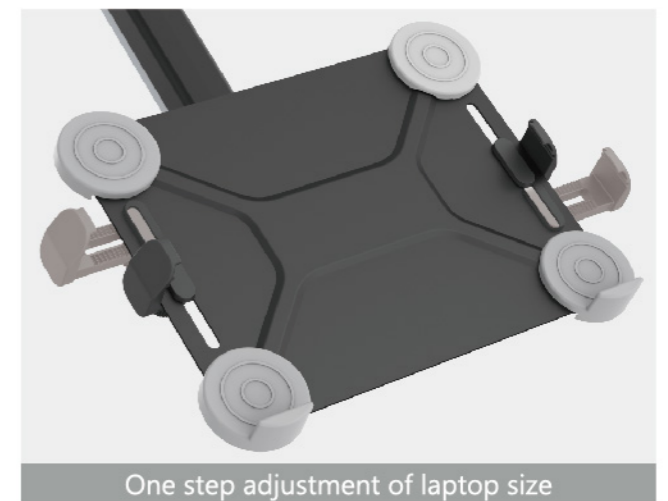
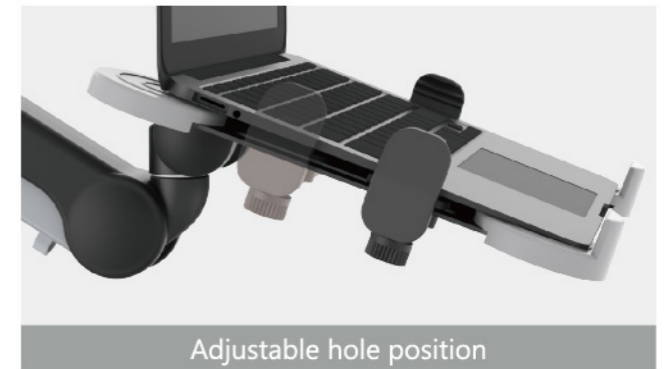
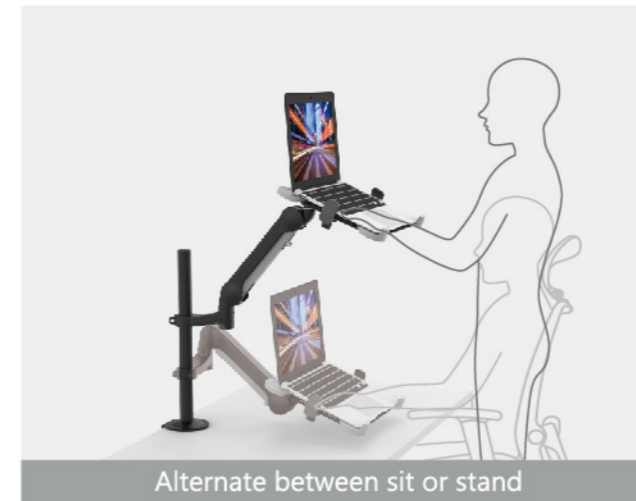


# Sit-Stand Laptop Arm

Change your posture freely by most comfortable way.



- One step adjustment of laptop size
- Alternate between sit or stand
- Flexible for future addition



# Sit-Stand Laptop Arm



**1803-1N**

**max** 1~5.5kg (2.2~12.1 lbs)



**1805-2N**

**max** 2~9kg (4.4~19.8 lbs) / Fit monitor  
1~5.5kg (2.2~12.1 lbs) / Fit laptop



**Clamp Type**

**1801N**

**max** 1~5.5kg (2.2~12.1 lbs)

**Grommet Type**

**1821N**

**max** 1~5.5kg (2.2~12.1 lbs)

## VESA Optional

